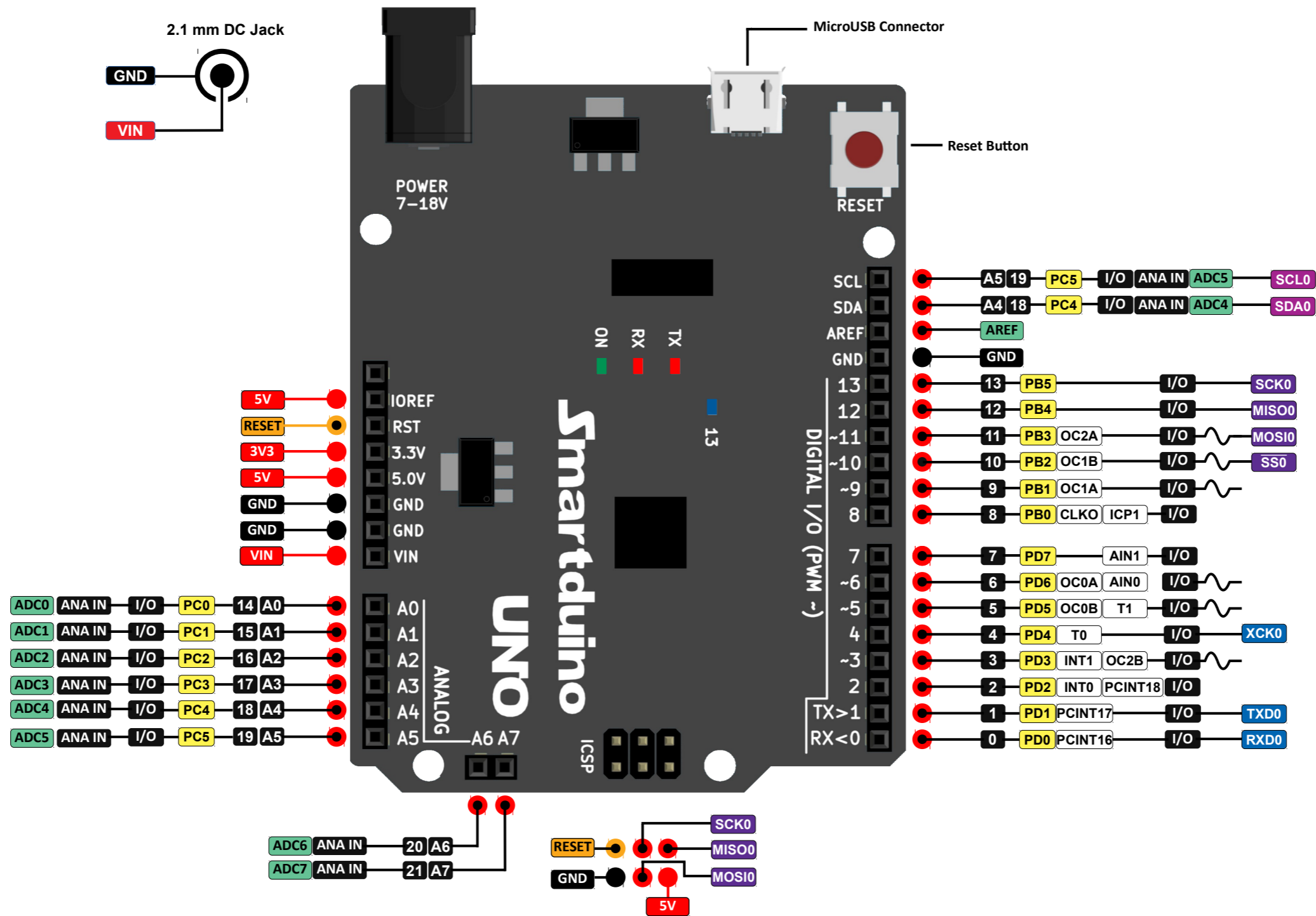


ATMega328P microController Board Pinout Diagram



Ground Pin	Pin Number in Arduino	Digital Input / Output	UART Pin
+Voltage Pin	MCU Pin Name	Analog Input	SPI Pin
	Timer/Counter Pin	ADC Pin	I2C Pin
		PWM Output	